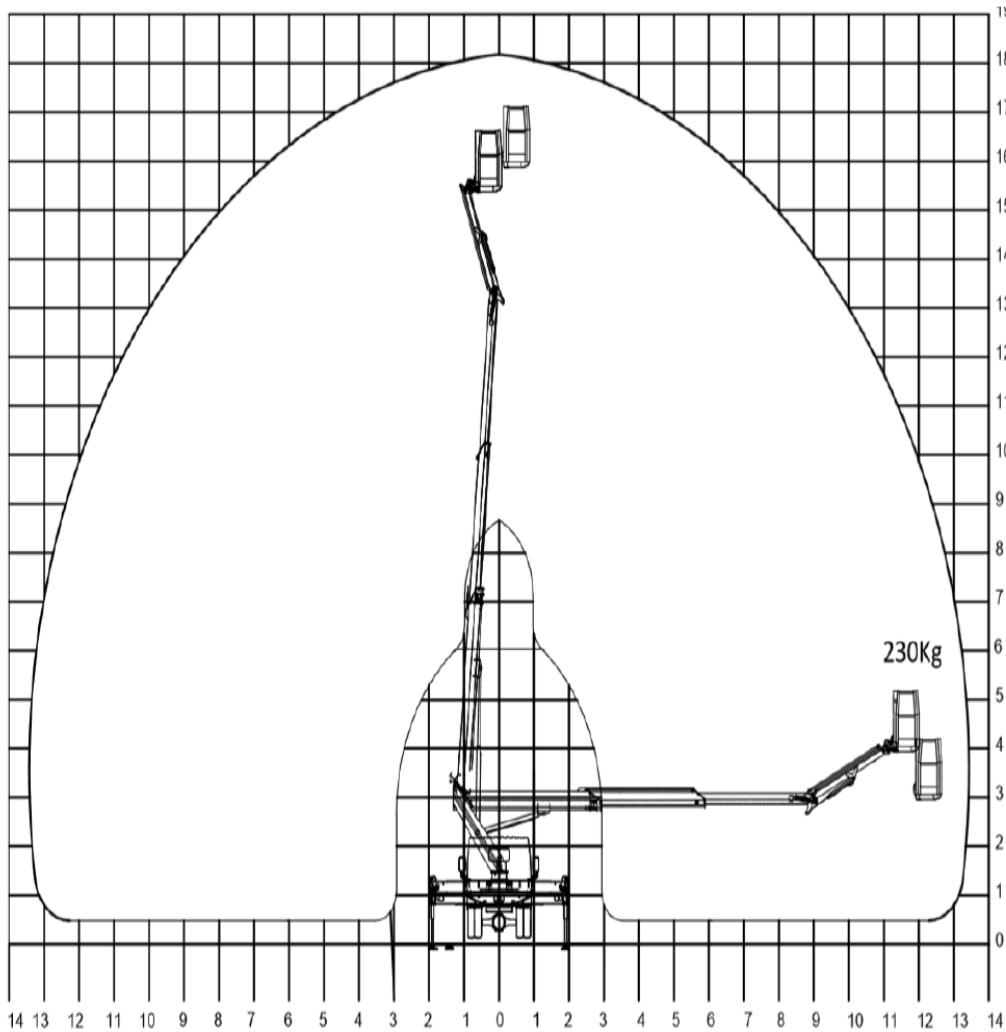


# Peter Douglass Platforms



## Specification Sheet

### 18m Ascendant - 18-13 mk2



<b>Working Height</b>	<b>18m</b>
<b>Maximum Outreach</b>	<b>13m</b>
<b>Safe Working Load</b>	<b>230kg</b>
<b>Outriggers Fully Extended</b>	<b>3.8m</b>
<b>One Sided Outriggers Option</b>	<b>3.1m</b>
<b>Vehicle Height</b>	<b>3.m</b>
<b>Vehicle Width</b>	<b>2.3m</b>
<b>Vehicle Length</b>	<b>7m</b>