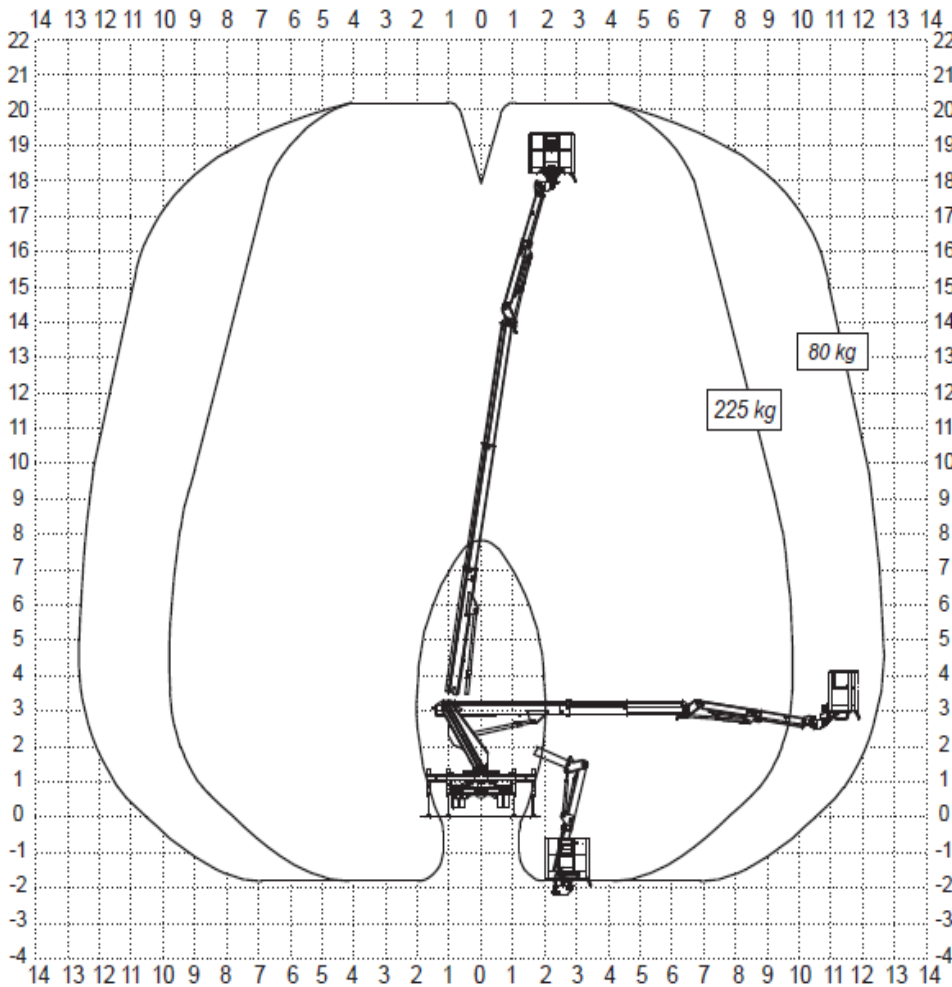


# Peter Douglass Platforms



## Specification Sheet

### 20m Multitel MJ201



<b>Working Height</b>	<b>20.1m</b>
<b>Maximum Outreach</b>	<b>9.8m (225kg) – 12.6m (80kg)</b>
<b>Safe Working Load</b>	<b>225kg</b>
<b>Outriggers Fully Extended</b>	<b>3.4m</b>
<b>One Sided Outriggers Option</b>	<b>2.8m</b>
<b>Vehicle Height</b>	<b>3m</b>
<b>Vehicle Width</b>	<b>2.3m</b>
<b>Vehicle Length</b>	<b>7m</b>