

# SPECIFICATION **TRACCESS 170**

## **TECHNICAL DATA**

- Articulated boom (two elements) + telescopic boom (main boom + extension) + jib
- 330° turret rotation on bearing turntable
- Individual, proportional electrohydraulic controls in basket
- Engine start and stop controls from basket
- Basket base in composite material with aluminium guardrails (1300 x 700 x 1100 mm)
- Automatic hydraulically actioned basket levelling
- Basket load sensing device
- N° 4 hydraulic outriggers with ground pressure sensors
- 230V AC EC electrical socket in the basket
- Gradeability approximately 31%
- Drive speed max 1,5 Km /h
- Single cylinder 15 HP petrol engine
- Electro-hydraulic steering from the ground with an umbilical remote control system
- 230V 1,5 Kw auxiliary engine
- Hour meter
- Standard boom colours blue (RAL 5017) or white (RAL 9010)
- CE certified
- Remote spiral cable for traverse from ground

## **PERFORMANCE**

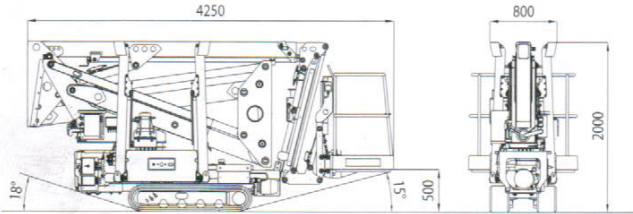
Working height	17 m
Platform height	15 m
Capacity	200 kg
Working outreach	7,5 m approx.
Unit weight	2050 kg approx.



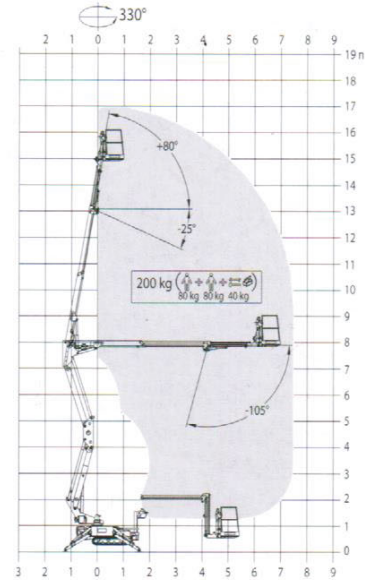
## TECHNICAL DETAILS

- 2 x Safety Harness hooking locations on the platform
- Emergency push button
- Emergency manual pump
- Outriggers/boom interlocking facility
- Manual emergency lowering valves
- Cylinders with safety non-return valves
- Intermittent buzzer for traverse and turnable rotation
- Active track braking system automatically applied in stationary mode
- Instructions & Maintenance Manual

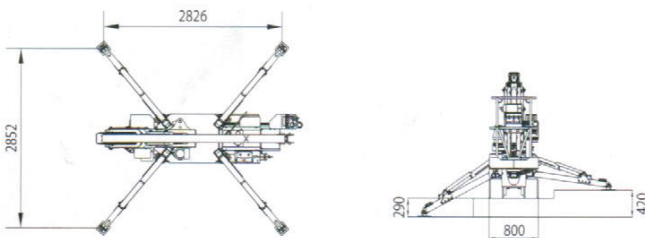
## PLATFORM DIMENSIONS



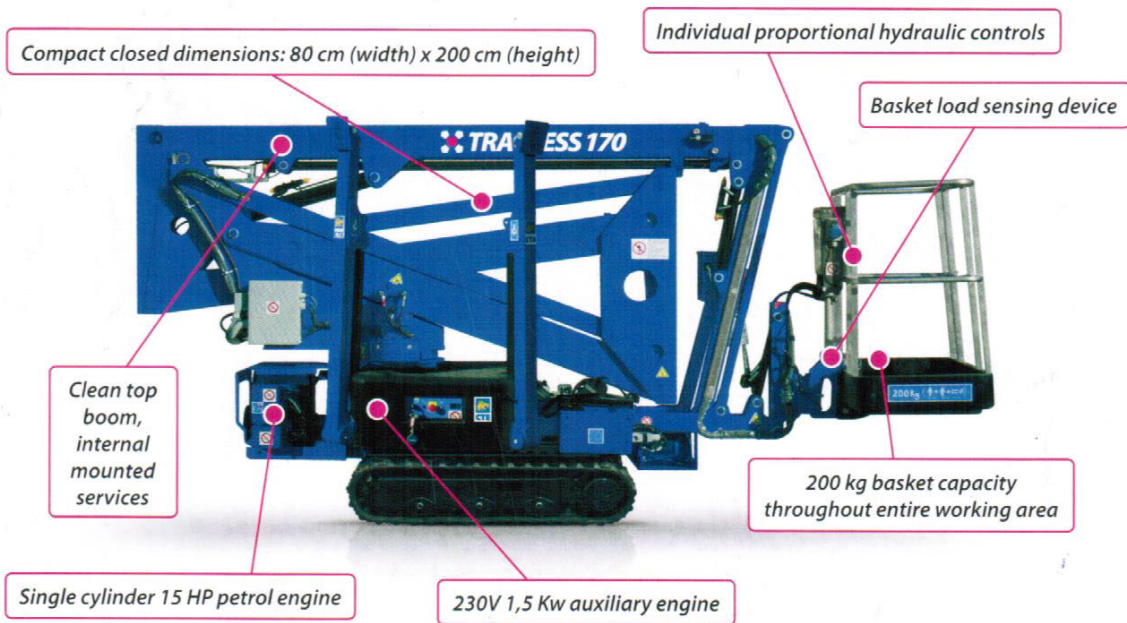
## WORKING AREA



## STABILIZATION



## KEY POINTS



Sales Management Dolo (Ve) ITALY - [dolo@ctelift.com](mailto:dolo@ctelift.com)  
ph. +39 041 51.00.130 - fax +39 041 41.38.44

CTE S.p.A. | [www.ctelift.com](http://www.ctelift.com)

**TRACCESS**